

Regain the freedom of your home



The Acorn 130 Superglide Straight Stairlift

The Acorn Superglide Stairlift is one of the most technologically advanced stairlifts available, helping thousands of people worldwide to reclaim full access to their home. It's the safe, comfortable and simple solution to difficulty with the stairs.

Every aspect of the Acorn Superglide has been designed for the highest standards of comfort and safety. Our years of experience have helped us to create a stairlift that is built purely with the user in mind.

The Acorn Superglide is powered by a maintenance free DC power pack, which ensures your lift works even in the event of a power cut.

The Superglide's smooth start/stop action means just that, no sudden jerks or jolts; and the near silent motion of the lift blends unobtrusively into your home.

Another feature pioneered by Acorn is the on-board diagnostic control panel which alerts you to any potential problems before they arise, (e.g. the stairlift has accidentally been switched off or incorrectly parked).

You can rest safe in the knowledge that tens of thousands of homes worldwide have already enjoyed the Acorn experience.



Give your life a lift[®]

Enjoy the home you love



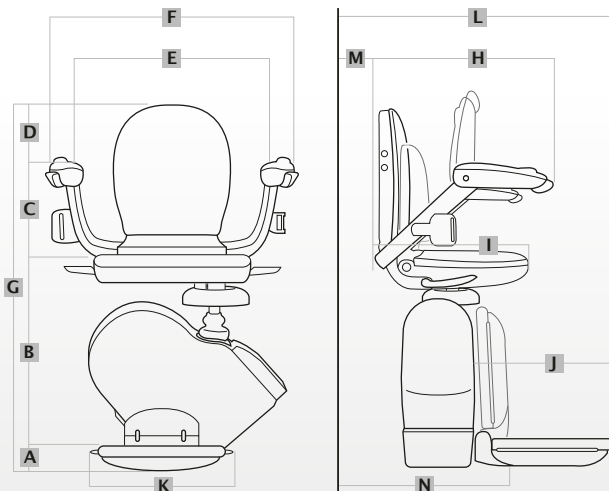


A wealth of features for your benefit

- 1 Padded seat and backrest.
- 2 Easy to use controls.
- 3 Secure safety belt.
- 4 Folding arms, footrest and seat allow easy access to the stairway.
- 5 Swivel seat – no need for twisting the body to get on and off the lift.
- 6 Lockable on/off switch allows the user to prevent others (e.g. children) from using the lift.
- 7 Diagnostic digital display informs the user of the status of the lift.
- 8 Five safety sensors on the footrest and carriage stop the lift automatically if any obstruction is encountered.
- 9 Hand-held remote controls allow users to ‘call’ or ‘send’ the lift up and down the staircase.

Dimensions

| | mm | inch |
|---|-----------|-----------|
| A Floor to top of footrest | 95 | 3¾ |
| B Top of footrest to top of seat | 445 | 17½ |
| C Top of seat to top of arms | 250 | 9¾ |
| D Top of arms to top of seat back | 190 | 7½ |
| E Width between armrests (Wide arm version) | 445 (495) | 17½ (19½) |
| F Overall width | 605 | 23¾ |
| G Overall height | 980 | 38½ |
| H Length of arms from seat back | 470 | 18½ |
| I Length of seat base from seat back | 435 | 17 |
| J Length of footrest | 325 | 12¾ |
| K Width of footrest | 310 | 12¼ |
| L Front of footrest to stringer | 570 | 22½ |
| M Back of seat to stringer | 13 | ½ |
| N Folded width | 310 | 12¼ |



Specifications

| | |
|---------------------|--------------------------|
| Motor Power | 0.25KW |
| Motor Output Speed | No greater than 0.15 m/s |
| Method of Drive | Rack and Pinion |
| Motor Output Torque | 108Nm |

| | |
|------------------|---------------------------------|
| Power Supply | 24V DC (battery) |
| Maximum Capacity | 127kgs |
| Track | Extruded Aluminium |
| Mains Supply | UK 240V / EC 220V –50Hz Charger |